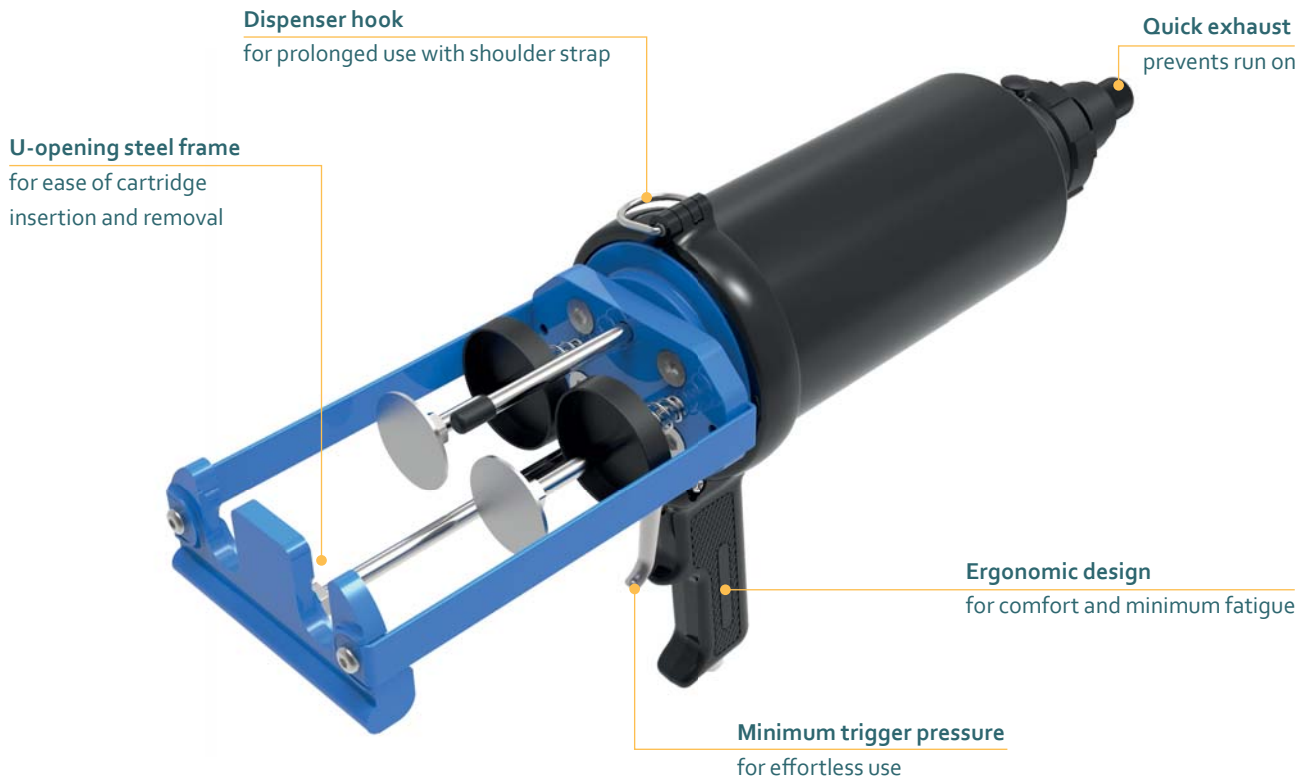


# AIRFLOW™ 1 CBA 200C

## 400 ML CARTRIDGE DISPENSER



Model shown: AirFlow 1 CBA 200C 400 mL

### FEATURES

- Air return as standard
- Minimum trigger pressure
- U-opening steel frame
- Quick exhaust valve
- Customization possible

### BENEFITS

- Fast, accurate and effortless application
- For effortless use and minimum fatigue
- Ease of cartridge insertion and removal
- Prevents run-on
- Customer labelling

### APPLICATIONS



Bonding

Chemical Anchoring

### PRODUCT BY RANGE



AirFlow 1  
CBA 200C

AirFlow 1  
CBA 310C

AirFlow 1  
CBA 310S

AirFlow 1  
CBA 600S

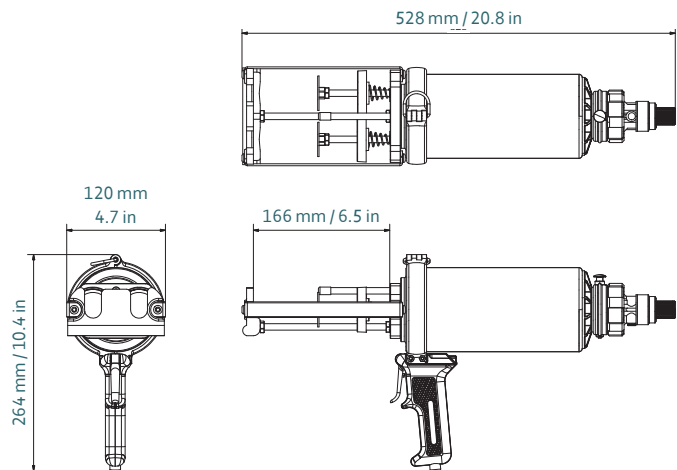
AirFlow 1  
CBA 330B

# THE AIRFLOW 1 CBA 200C 2-COMPONENT PNEUMATIC DISPENSER OFFERS AIR RETURN AS STANDARD FOR FAST, ACCURATE AND EFFORTLESS APPLICATION AND MINIMUM TRIGGER PRESSURE FOR EFFORTLESS USE.

## SPECIFICATIONS

- Weight: 2.8 kg / 6.2 lbs
- Frame Length: 166 mm / 6.5 in
- Maximum Thrust: 5 kN
- Maximum Pneumatic Pressure: 6.8 bar / 100 psi
- Air Consumption: 40 litres/min
- Handle Material: Aluminum
- Frame Material: Steel
- Tool Component Approvals: CE, REACH
- Cartridge Capacity: 400 mL (14.1 oz)
- Cartridge Ratio: 1:1
- Viscosity: Medium/High
- Standard Color: Black/Blue
- Customized versions on demand

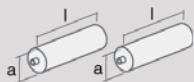
## DIMENSIONS



Part number	Article number	Packaging
DP2C 400-01-500-101	177785 / CBA 200C (US)	1 per Box

## MATCHING MIXPAC™ CARTRIDGES

## COMPATIBLE CARTRIDGES



Aluminum Cartridge  
400 mL (2×200) / 1:1 AL

1:1	mm	inch
l	145.5	5.7
a	Ø 49.0	Ø 2.0

## CONVERSION KITS




—

## MATCHING ACCESSORIES

Connecting manifold supplied for 2×200 mL cartridges on pages 145.

# COX™ DISPENSER ACCESSORIES

MAKE THE MOST OF YOUR DISPENSER WITH THE FOLLOWING RANGE OF COX ACCESSORIES.

Name/Description	Part Number	Compatible with
<b>General dispenser accessories</b>		
 <p><b>Plastic Manifold – without non-return valve</b> Connection for two individual plastic cartridges (same material or 2-component systems). The cartridges are screwed on to the manifold and the material is then dispensed through a nozzle.</p>	158945	Manual Dispenser: CBM 310XC CBM 310XS Pneumatic Dispenser: AirFlow 1 CBA 200C AirFlow 1 CBA 310S AirFlow 1 CBA 600S
 <p><b>Plastic Manifold – with non-return valve</b> Connection for two individual plastic cartridges (same material or 2-component systems). The cartridges are screwed onto the manifold and the material is then dispensed through a nozzle.</p>	162563	Manual Dispenser: CBM 310XC CBM 310XS Pneumatic Dispenser: AirFlow 1 CBA 200C AirFlow 1 CBA 310S AirFlow 1 CBA 600S
 <p><b>Plastic Manifold ABS black</b> Connection for two individual plastic cartridges (same material or 2-component systems). The cartridges are screwed onto the manifold and the material is then dispensed through a nozzle.</p>	176072	Manual Dispenser: CBM 310XC CBM 310XS Pneumatic Dispenser: AirFlow 1 CBA 200C AirFlow 1 CBA 310S AirFlow 1 CBA 600S

## WARRANTY STATEMENT

medmix offers a (2) year manufacturing warranty effective at the date of invoice.

medmix will repair or replace any product which examination proves to be a manufacture defect.

With the exception of: COX™ EasiFlow™ and MidiFlow™ dispenser ranges which have a warranty for one (1) year from the date of invoice.

### LIMITATIONS:

**This warranty does not cover:**

1. Repairs made or attempted by other than medmix UK Ltd. or Authorized Service Centre
2. Normal wear and tear
3. Misuse
4. Improper maintenance
5. Continued use after partial failure
6. Tools that have been modified or used with improper accessories

Should a problem develop while still under warranty, return the complete product to medmix UK Ltd. freight prepaid and insured. If inspection shows the problem has been caused by a defect in manufacture, all repairs, or a replacement will be made, at no charge and the product will be returned, transportation prepaid. No other warranty, written or verbal, is authorized.

The repair and replacement remedies described herein are exclusive. In no event shall medmix UK Ltd. be liable for any incidental, special, or consequential damages, including loss of profits, loss of use or loss of production.

This warranty is in lieu of all other warranties, expressed or implied including without limitation the implied warranties of merchantability and fitness for a particular purpose, which are expressly disclaimed.